



**For Security**  
**Vari-Focal**

# YV2.3×6A-2

Applicable camera (model)

1	2/3	1/2	1/3	1/4
---	-----	-----	-----	-----

**VARI**  
Vari-Focal

**TELE**  
Telephoto  
Long Focal

**MANUAL**  
Manual Iris

**CS-mt**  
CS Mount

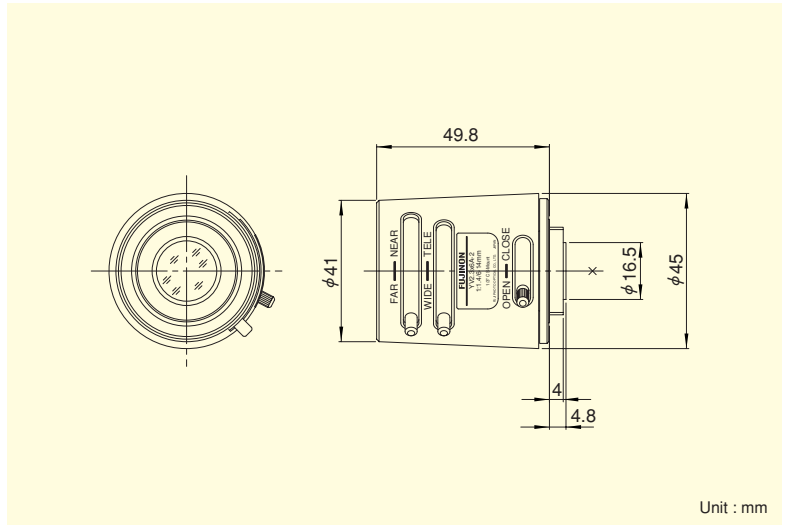
**F1.4**  
Wide Aperture  
Rate

**2.3×**



\*Photograph is a similar model.

- Telephoto vari-focal lens with the horizontal field angle of 43-19 degrees (when used on 1/3 cameras)
- Wide aperture of F1.4, optimizing the performance at low lighting intensity



Unit : mm

Focal Length (mm)		6~14 (2.3×)	
Iris Range		F1.4 ~ Close	
Operation	Zoom	Manual	
	Focus	Manual	
	Iris	Manual	
Angle Of View (H×V)	1/3"	WIDE	43°36' × 33°24'
		TELE	19°27' × 14°39'
	1/4"	WIDE	33°24' × 25°22'
		TELE	14°39' × 11°01'
Focusing Range (From Front Of The Lens) (m)		∞ ~ 0.3	
Object Dimensions at M.O.D. (H×V) (mm)	1/3"	WIDE	256 × 192
		TELE	109 × 82
	1/4"	WIDE	192 × 144
		TELE	82 × 62
Back Focal Distance (in air) (mm)		8.58	
Exit Pupil Position (From Image Plane) (mm)		-27	
Filter Thread (mm)		—	
Mount		CS	
Mass (g)		60	
Remarks			